

► Hydrometer multi-jet water meter type MTX for utility water

Hot-water meter for utility water
– dry runner

Characteristics

- Multi-jet water meter for utility water
- Suitable for hot water up to 90 °C (for short periods safe up to 120 °C)
- Type MTX for horizontal installation
- Type MTSX for installation in rising pipe
- Type MTFX for installation in downpipe
- 'Easy-to-read', mechanical counter (can be rotated 360°)
- Available with pulse generator for remote reading max 24V/0.2A
- Approved according to EEC, verified
- Approval class: A
- Protective class: IP65

Further information

The MTX series is a multi-jet impeller meter in completely dry-running design with magnetic coupling. Only the impeller operates in the wet chamber.

In order to avoid condensation of the transparent cover the counter is both dust- and waterproof.

Models with pulse generators for 10 litres/pulse are standard, but other values are available.



Meter type and flow volume

Type	Nominal flow q_n (m ³ /h)
Multi-jet impeller meter	
MTX-V	1.5 · 2.5 · 6 · 10
Multi-jet impeller meter, vertical rising pipe	
MTSX-V	1.5 · 2.5 · 6 · 10
Multi-jet impeller meter, vertical downpipe	
MTFX-V	1.5 · 2.5 · 6 · 10
Multi-jet impeller meter, 10 litres/pulse	
MTX-K10-V	1.5 · 2.5 · 6 · 10
Multi-jet impeller meter, vertical rising pipe, 10 litres/pulse	
MTSX-K10-V	2.5 · 6 · 10
Multi-jet impeller meter, vertical downpipe, 10 litres/pulse	
MTFX-K10-V	2.5 · 6

Technical data

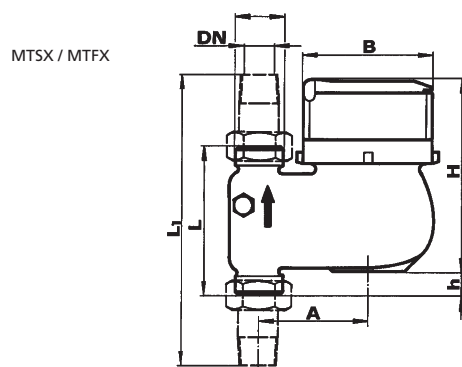
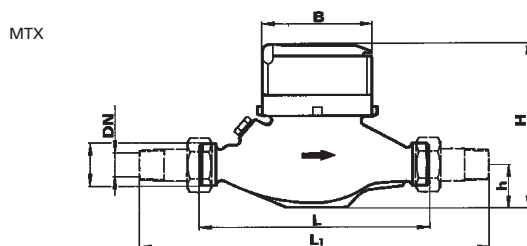
Type				MTX / MTSX / MTFX			
Nominal flow rate		q_n	m ³ /h	1.5	2.5	6	10
Maximum flow rate	Transitory	q_{max}	m ³ /h	3	5	12	20
Transition flow rate		q_t	l/h	150	250	600	1000
Minimum flow rate		q_{min}	l/h	30	50	90	160
Starting flow rate		q_{start}	l/h	12-15	20-25	40-50	60-70
EU accuracy class	Horizontal installation					A	
	Vertical installation					A	
Accuracy of measurement	Verification limits	q_{min} - q_t				± 5 %	
		q_t - q_{max}				± 2 %	
Max temperature	Approval					90 °C	
	Design					120 °C	
Pressure class			Bar			PN16	
Pressure drop q_n		Δ_p	kPa	20	24	26	26
Approval no.	Hot-water meter	90 °C				D83/6.331.44	
Pulse output	Passive reed switch	Litres/pulse		10	10	10	10

Dimensions

Type			MTX				MTSX / MTFX				
		q_n	1.5	1.5	2.5	6	10	1.5	2.5	6	10
Nominal connection		mm	15	20	20	25	40	20	20	25	40
Lenght	L	mm	165	190	190	260	300	105	105	150	200
Lenght with coupling	L1 *)	mm	245	270	270	378	438	203	203	268	338
Width	B	mm	96	96	96	102	137	96	96	102	136
	A	mm	-	-	-	-	-	82	82	95	120
Height	H	mm	120	120	120	125	140	154	154	165	177
	h	mm	35	35	35	45	50	15	15	22	32
Connecting thread	Meter	Inches	G3/4B	G1B	G1B	G1¼B	G2B	G1B	G1B	G1¼B	G2B
	Coupling	Inches	R½	R¾	R¾	R1	R1½	R¾	R¾	R1	R1½
Weight without coupling		kg	1.5	1.7	1.7	2.5	4.7	2.1	2.1	3.1	5.5
Installation position			Horizontal				Vertical				
Cable lenght at pulse output		m	3				3				

*) Standard coupling, not included when delivered

Dimensional outline



Head loss graph

